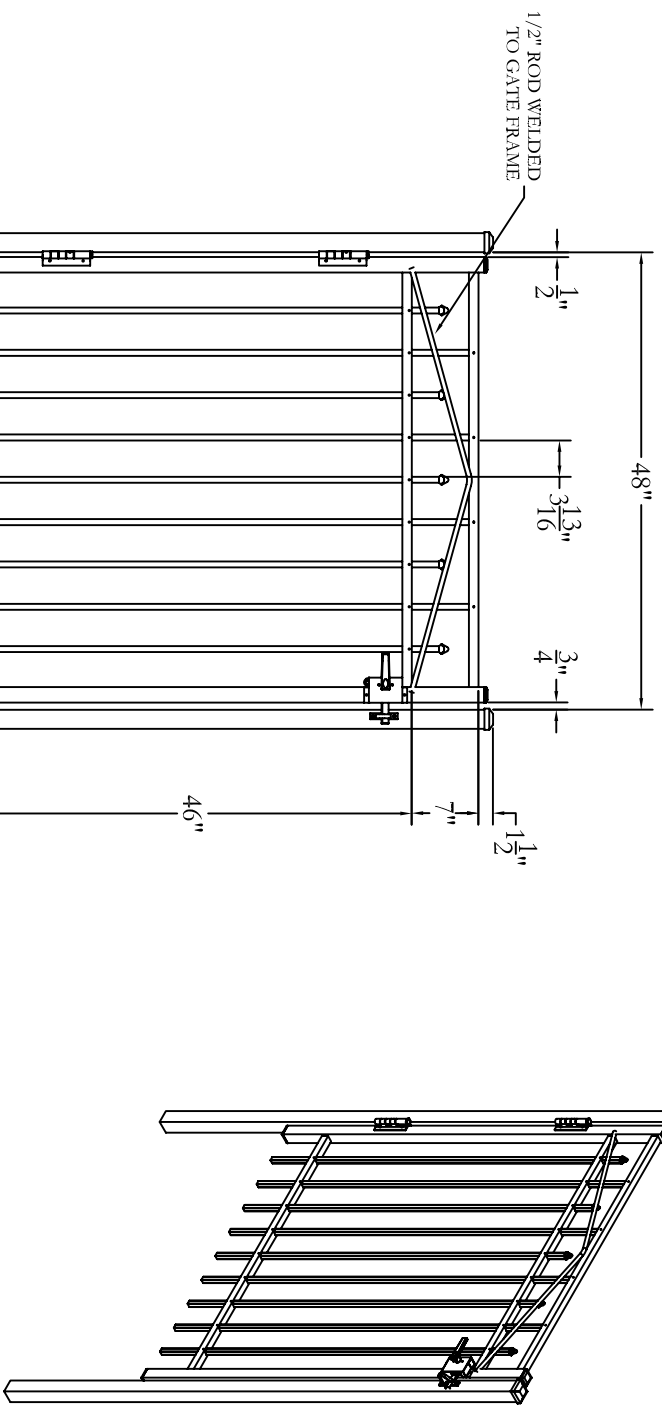


| DATE | BY | DESCRIPTION     | REVISION | DATE | BY | APPROVED |
|------|----|-----------------|----------|------|----|----------|
| NC   | NC | INITIAL RELEASE |          |      |    |          |



*Jerth*  
 Manufacturing Co., Inc.  
 Philadelphia, PA 19154  
 (800) 344-2242

DRAWING:  
 RESIDENTIAL GATE  
 STYLE #200  
 60" HIGH X 48" WIDE

|        |            |        |
|--------|------------|--------|
| SIZE   | DWG NO.    | REV    |
| D      | RS60U20048 | NC     |
| SCALE  | DATE       | SHEET  |
| 1-1.05 | 1-1.05     | 1 OF 1 |

© 2005. This drawing may not be altered or reproduced without the permission of Jerth Manufacturing Co., Inc.

