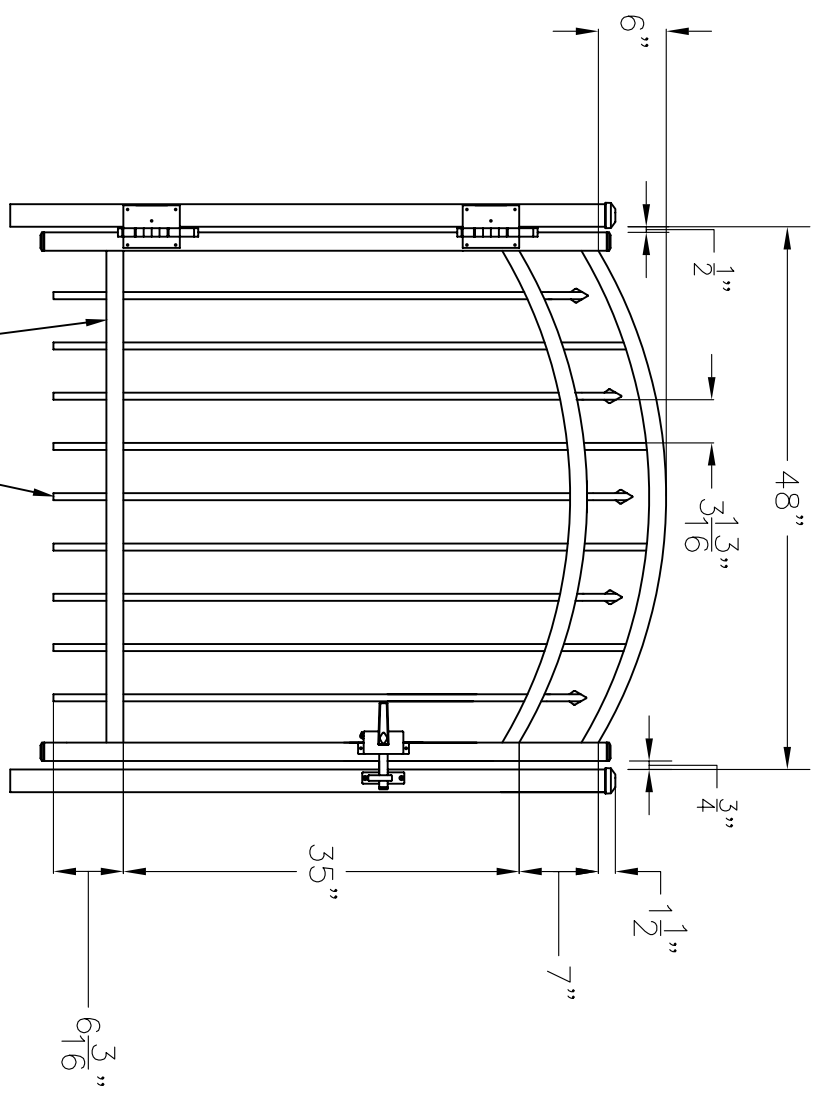


1" X 1-1/2" STRINGER

5" SQUARE PICKET



Smith
Manufacturing Co., Inc.
Philadelphia, PA 19154
(800)344-2242

Residential ACCENT GATE
STYLE #200
48" HIGH X 48" WIDE

Date September 2004
Copyright 2004
This drawing
may be used
without permission of
Smith Manufacturing Co., Inc.
Drawing No. RS48U20048