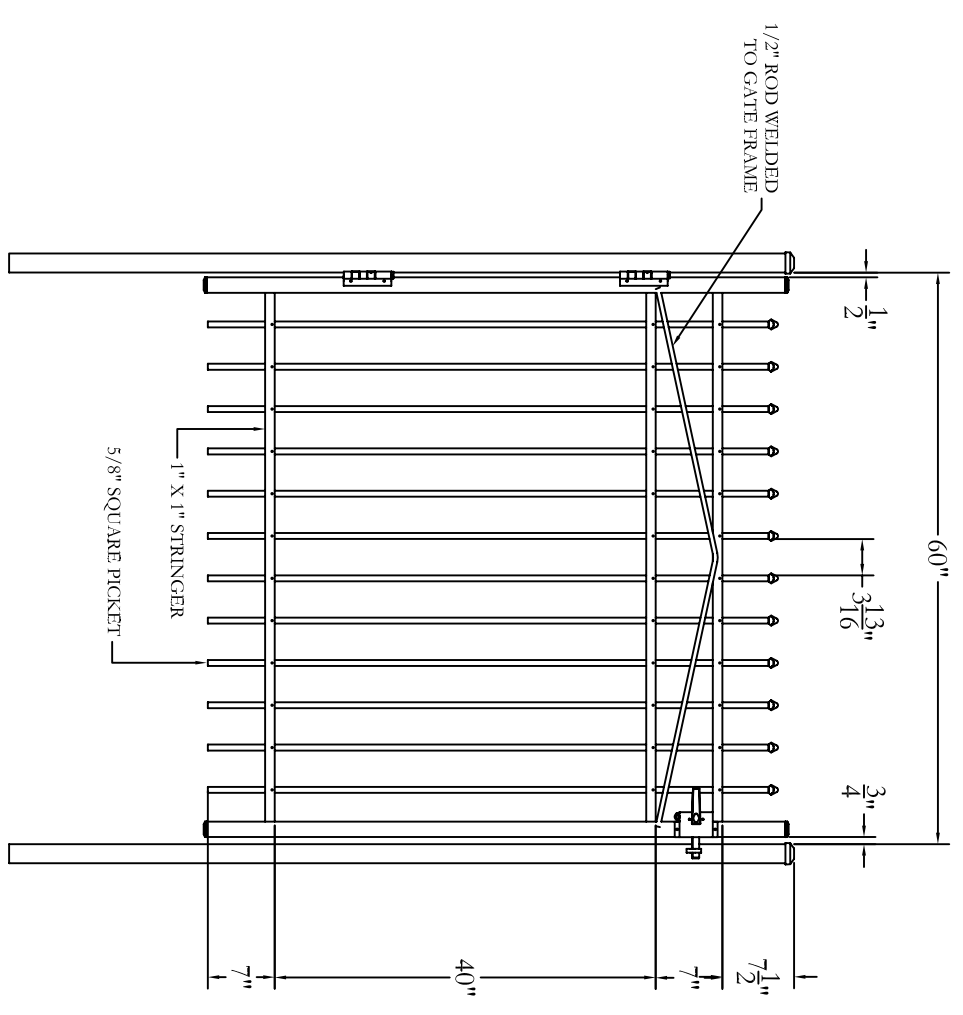
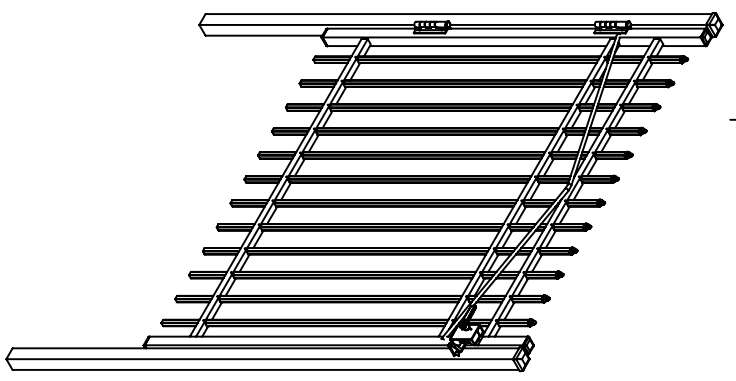


DATE	BY	DESCRIPTION	REVISION	DATE	BY	DESCRIPTION
NC		INITIAL RELEASE				



South
Manufacturing Co., Inc.
 Philadelphia, PA 19154
 (800) 344-2242

DRAWING:
RESIDENTIAL GATE
STYLE #101
60" HIGH X 60" WIDE

SIZE	DWG NO.	REV
D	RS60U10160	NC

SCALE	DATE	SHEET
1-1.05	1-1-05	1 OF 1

© 2005. This drawing may not be altered or reproduced without the permission of Jerth Manufacturing Co., Inc.