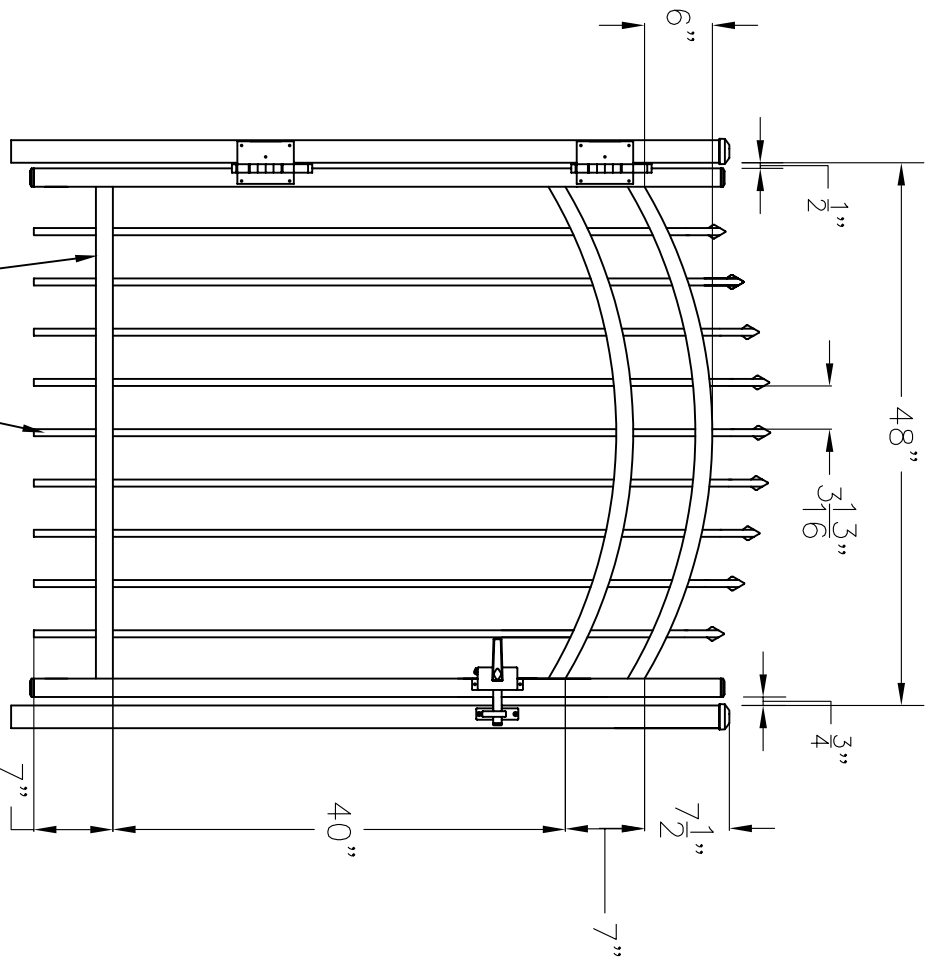



1" X 1-1/2" STRINGER

5" SQUARE PICKET



 Jerrith Manufacturing Co., Inc. Philadelphia, PA 19154 (800)344-2242	
Date: September 2004 Copyright 2004 may be drawn without permission of Jerrith Manufacturing Co., Inc.	Drawing No. RESIDENTIAL ACCENT GATE STYLE #101 60" HIGH X 48" WIDE RS60U10148