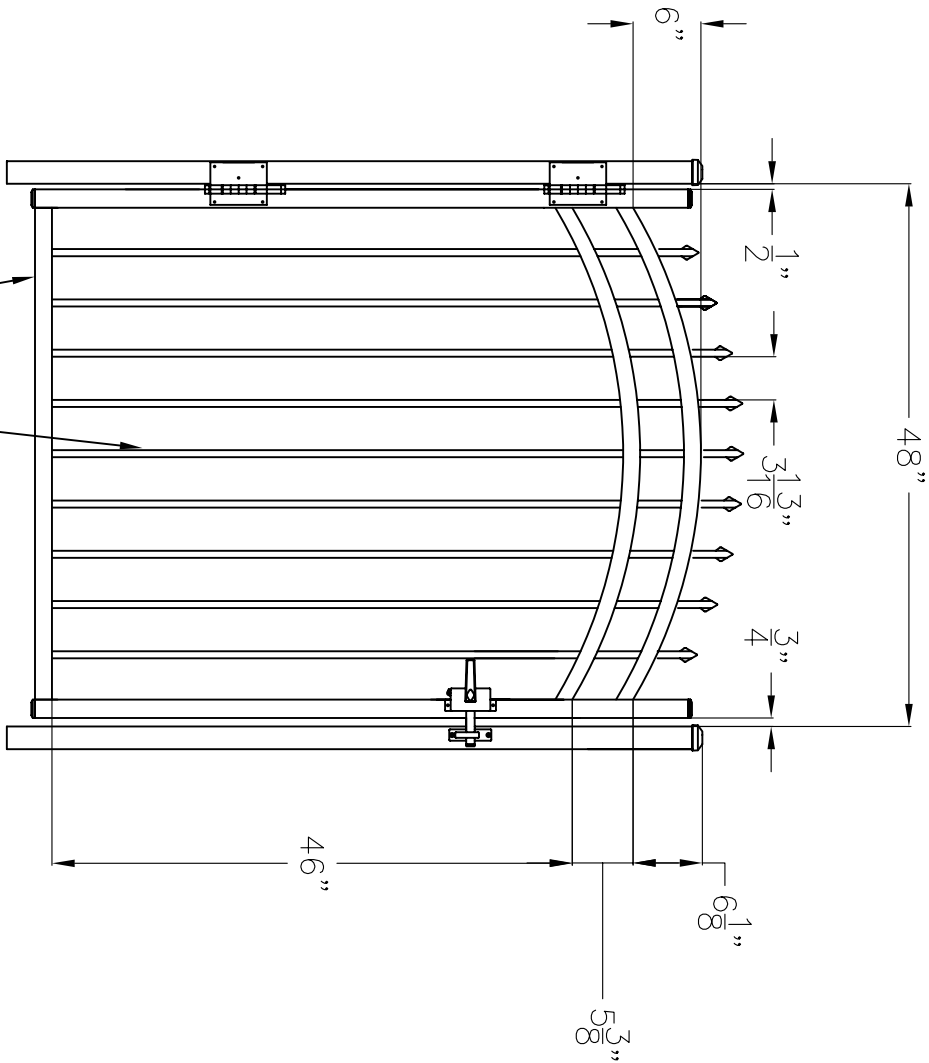



1" X 1-1/2" STRINGER

5" SQUARE PICKET



 Manufacturing Co., Inc. Philadelphia, PA 19154 (800)344-2242	
Designing	Copyright 2004
<b>RESIDENTIAL ACCENT GATE</b>	may be drawn
<b>STYLE #101</b>	without permission of
<b>57" HIGH X 48" WIDE</b>	Jerrith Manufacturing Co., Inc.
Date: September 2004	Drawing No. <b>RS57U10148</b>