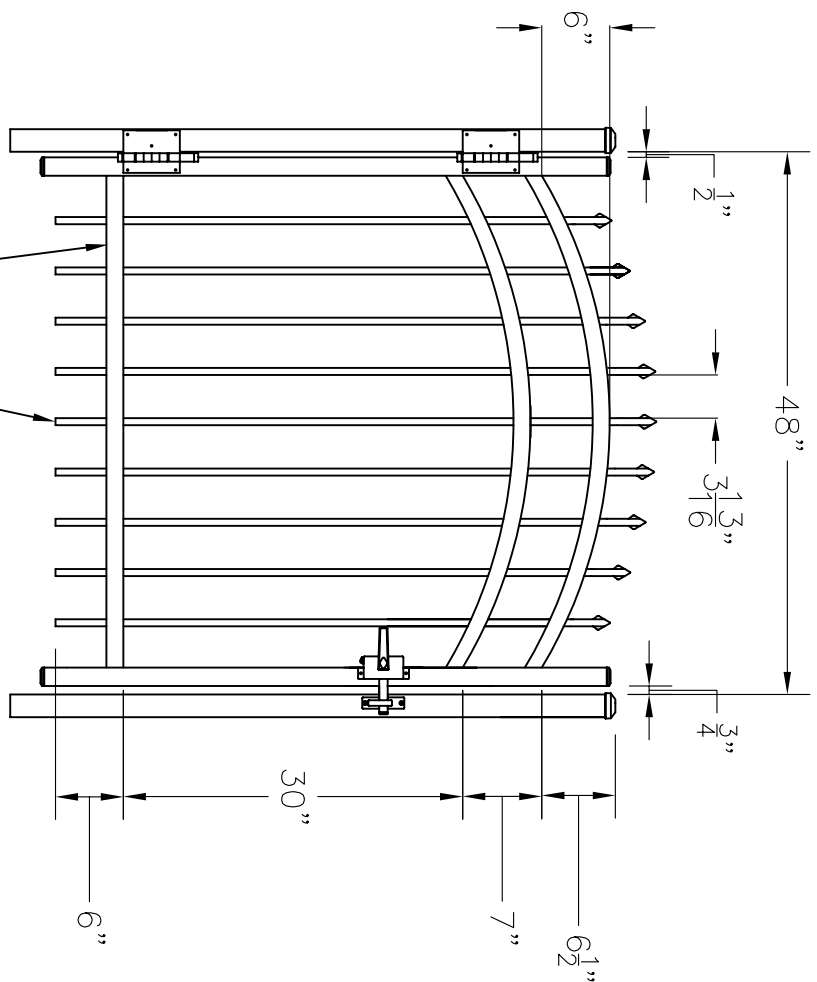


1" X 1-1/2" STRINGER

5" SQUARE PICKET



Jeffery
Manufacturing Co., Inc.
Philadelphia, PA 19154
(800)344-2242

Drawing
RESIDENTIAL ACCENT GATE
STYLE #101
48" HIGH X 48" WIDE

Date September 2004
Copyright 2004
The drawing
may be used
without permission of
Jeffery Manufacturing Co., Inc.
Drawing No.
RS48U10148