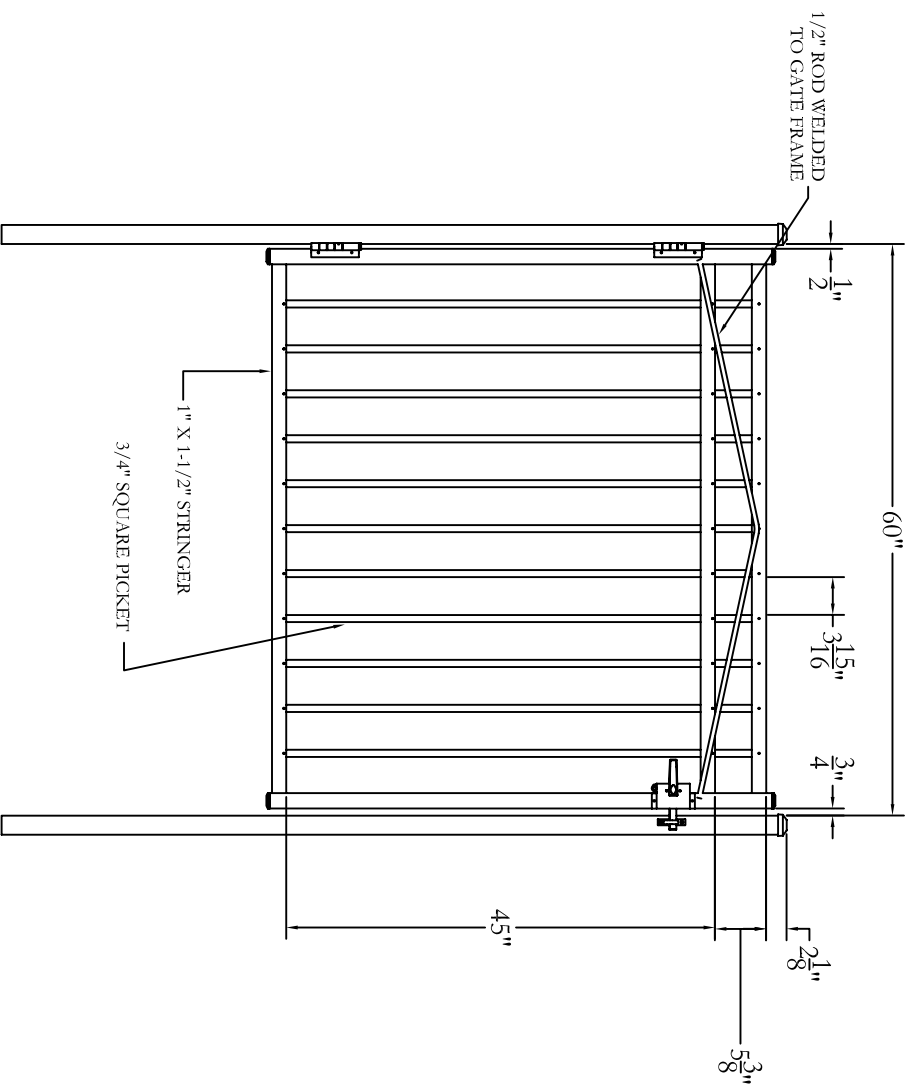
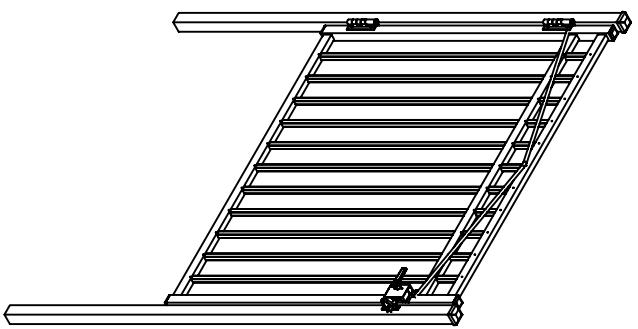


REV	DESCRIPTION	DATE	APPROVED
NC	INITIAL RELEASE		



South
 Manufacturing Co., Inc.
 Philadelphia, PA 19154
 (800) 344-2242

DRAWING:
 WINDSOR GATE
 54" HIGH X 60" WIDE

SIZE	DWG NO.	REV
D	RG54UW60	NC
SCALE	DATE	SHEET
	2-25-04	1 OF 1

© 2004. This drawing may not be altered or reproduced without the permission of Jerth Manufacturing Co., Inc.

