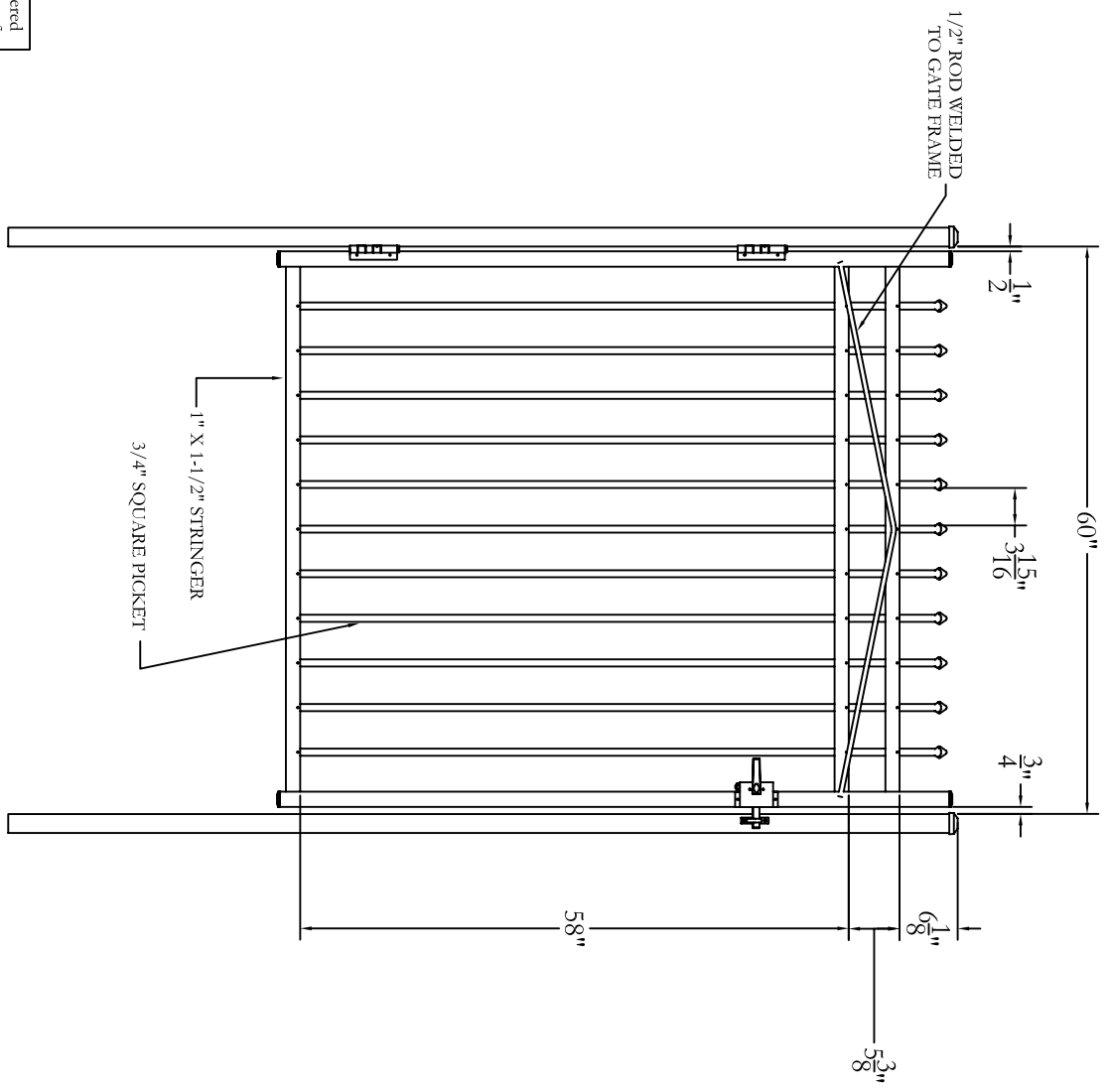
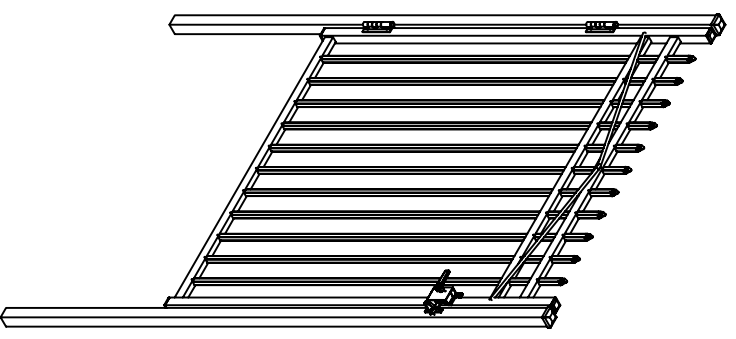


DATE	BY	DESCRIPTION	REVISION	DATE	BY	APPROVED
NC	NC	INITIAL RELEASE				



*South*  
**Manufacturing Co., Inc.**  
 Philadelphia, PA 19154  
 (800) 344-2242

DRAWING:  
**BUCKINGHAM GATE**  
**72" HIGH X 60" WIDE**

SIZE	DWG NO.	DATE	SHEET	REV
D	RG72UB60	2-25-04	1 OF 1	NC
SCALE				

© 2004. This drawing may not be altered or reproduced without the permission of Jerth Manufacturing Co., Inc.