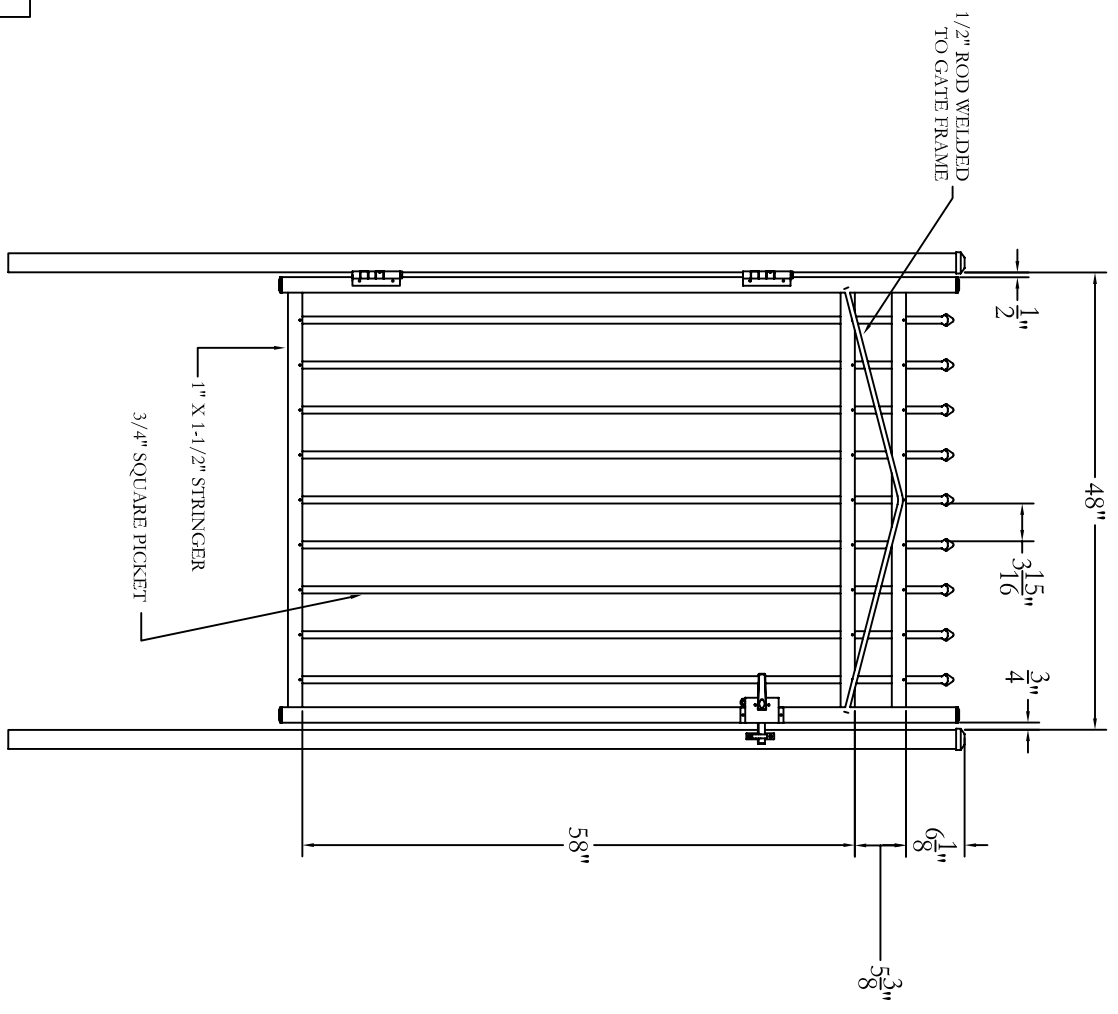
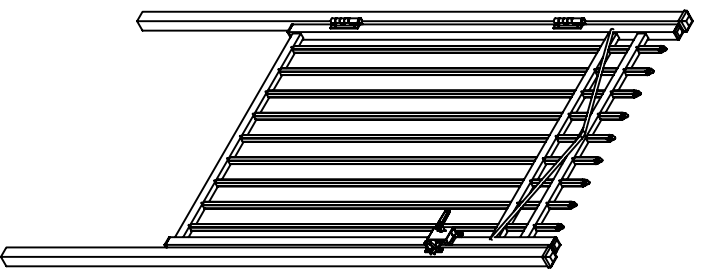


| DATE | BY | DESCRIPTION | REVISION | DATE | BY | DESCRIPTION |
|------|----|-----------------|----------|------|----|-------------|
| NC | | INITIAL RELEASE | | | | |



Jerth
Manufacturing Co., Inc.
 Philadelphia, PA 19154
 (800) 344-2242

DRAWING:
BUCKINGHAM GATE
 72" HIGH X 48" WIDE

| | | | | |
|-------|----------|---------|--------|-----|
| SIZE | DWG NO. | DATE | SHEET | REV |
| D | RG72UB48 | 2-25-04 | 1 OF 1 | NC |
| SCALE | | | | |

© 2004. This drawing may not be altered or reproduced without the permission of Jerth Manufacturing Co., Inc.