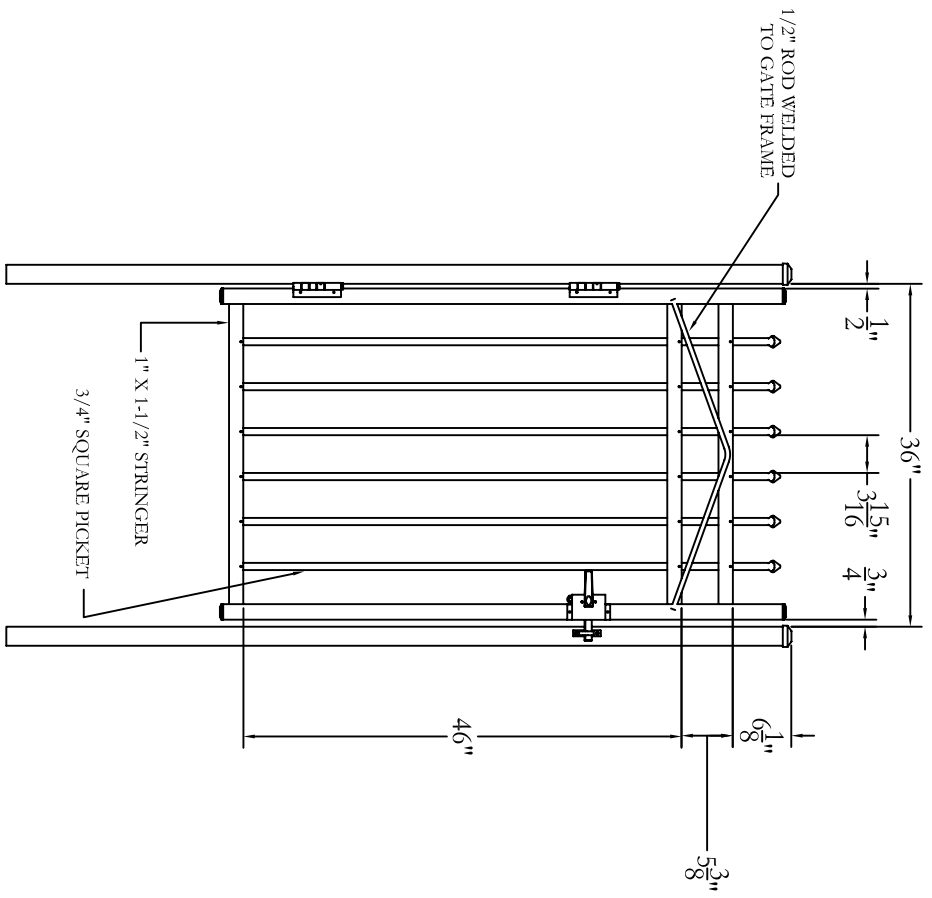
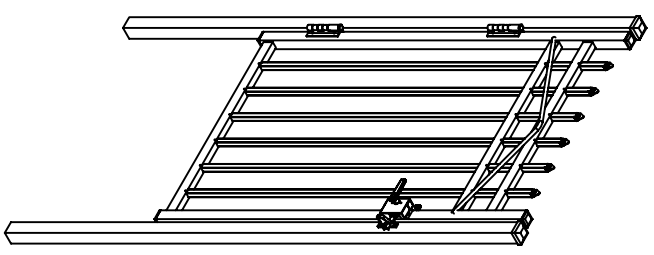


| REV | DATE | DESCRIPTION | BY | CHKD |
|-----|------|-----------------|----|------|
| 1 | NC | INITIAL RELEASE | | |



South
 Manufacturing Co., Inc.
 Philadelphia, PA 19154
 (800) 344-2242

DRAWING:
 BUCKINGHAM GATE
 60" HIGH X 36" WIDE

| | | |
|-------|----------|--------|
| SIZE | DWG NO. | REV |
| D | RG60UB36 | NC |
| SCALE | DATE | SHEET |
| | 2-25-04 | 1 OF 1 |

© 2004. This drawing may not be altered or reproduced without the permission of Jereth Manufacturing Co., Inc.