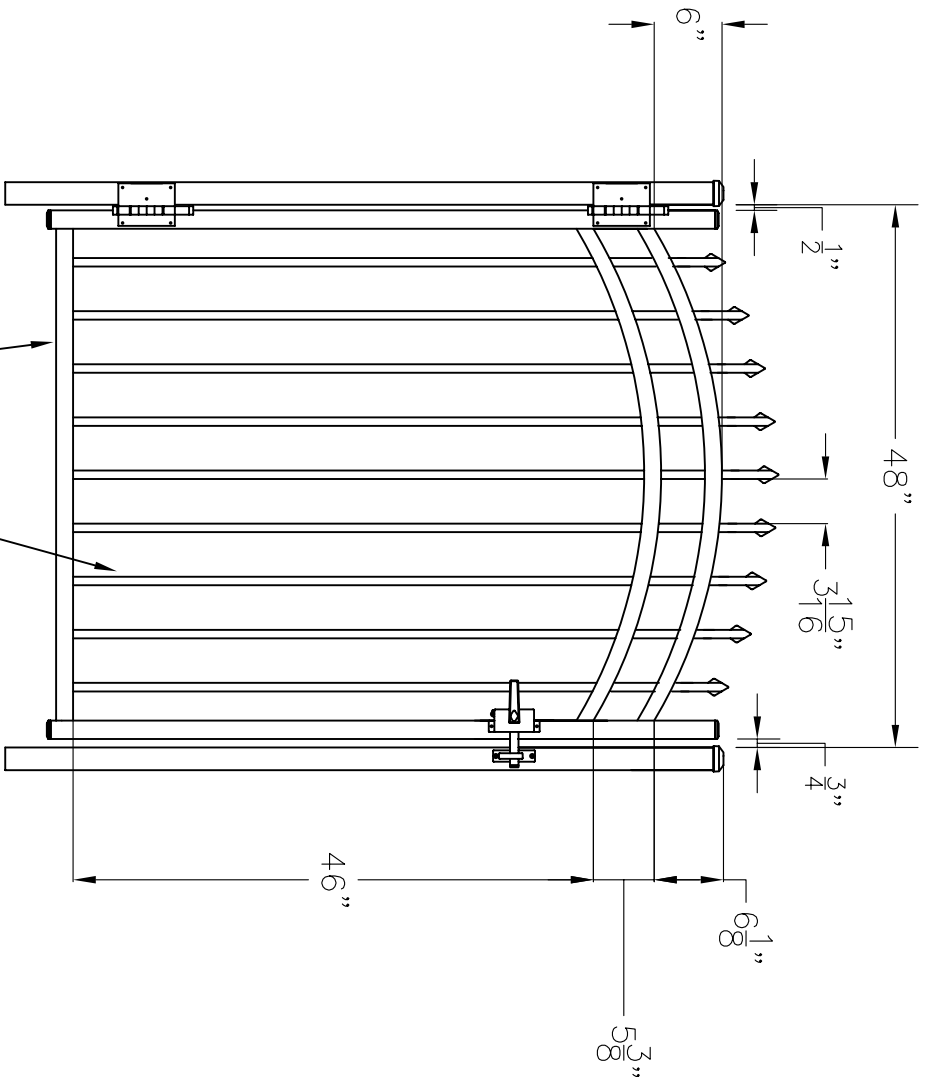



1-1/2" X 1-1/2" STRINGER

3/4" SQUARE PICKET



|   |  |                                 |
|---|--|---------------------------------|
| <br><b>Jerrith</b><br>Manufacturing Co., Inc.<br>Philadelphia, PA 19154<br>(800)344-2242 | <b>POOL ACCENT GATE</b><br><b>STYLE BUCKINGHAM</b><br><b>60" HIGH X 48" WIDE</b> | Drawing No.<br><b>BUCK60U48</b> |
| Date: September 2004<br>Copyright 2004<br>No part of this drawing<br>may be reproduced<br>without permission of<br>Jerrith Manufacturing Co., Inc.                          |  |                                 |