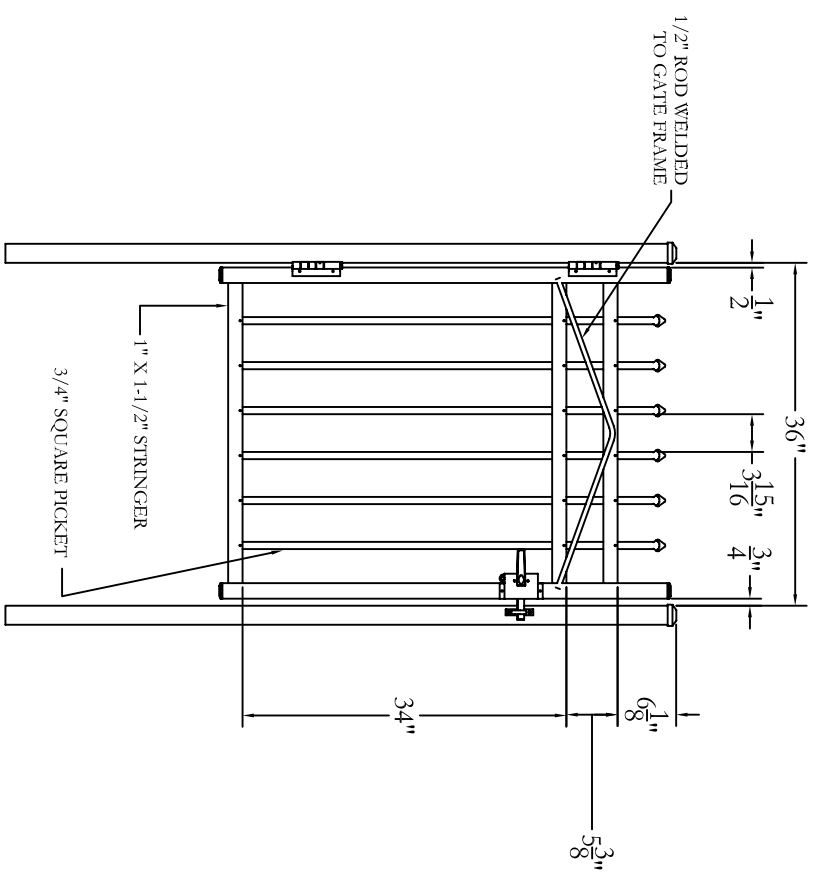
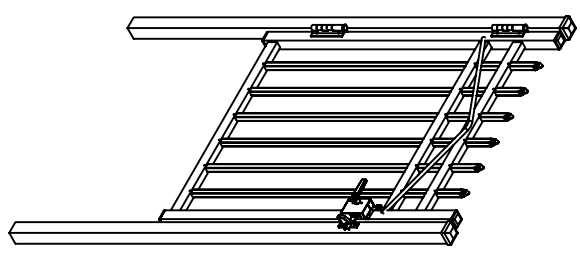


REV	DATE	DESCRIPTION	BY	APPROVED
NC		INITIAL RELEASE		



South
Manufacturing Co., Inc.
 Philadelphia, PA 19154
 (800) 344-2242

DRAWING:
BUCKINGHAM GATE
48" HIGH X 36" WIDE

SIZE	DWG NO.	REV
D	RG48UB36	NC
SCALE	DATE	SHEET
	2-25-04	1 OF 1

© 2004. This drawing may not be altered or reproduced without the permission of Jerth Manufacturing Co., Inc.

