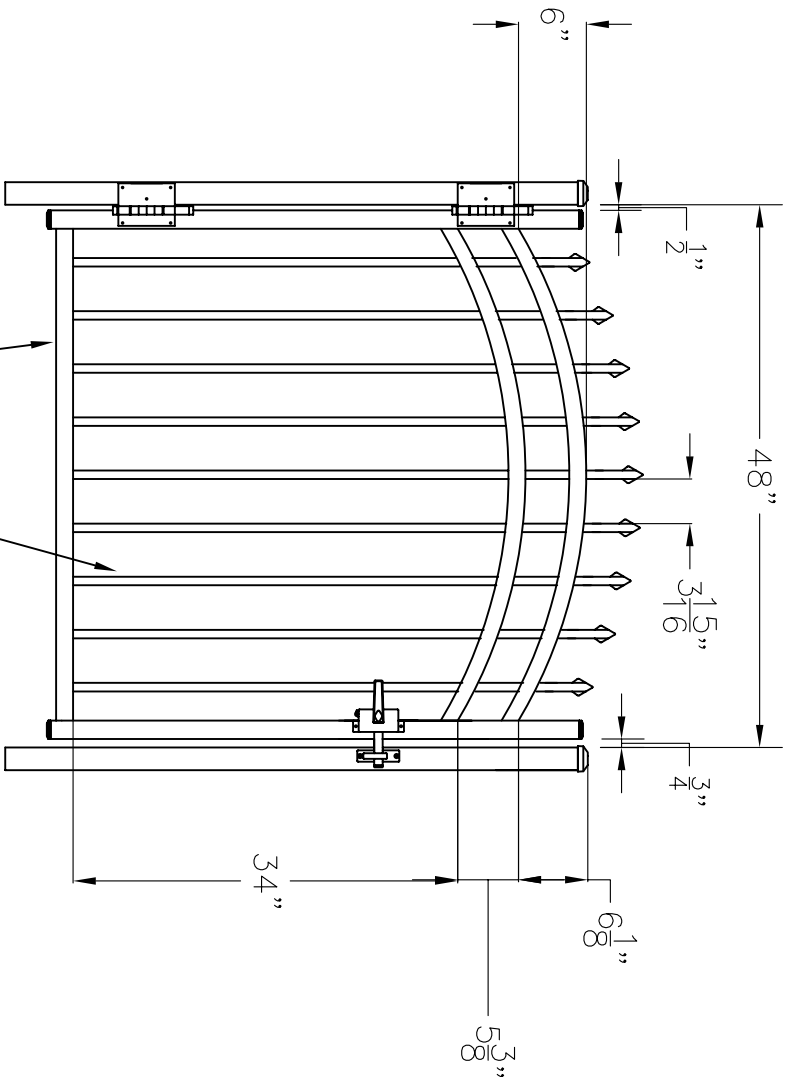


1-1/2" X 1-1/2" STRINGER

3/4" SQUARE PICKET



Jerrith
 Manufacturing Co., Inc.
 Philadelphia, PA 19154
 (800)344-2242

POOL ACCENT GATE
STYLE BUCKINGHAM
48" HIGH X 48" WIDE

BUCK48U48

Date: September 2004
 Copyright 2004
 Jerrith Manufacturing Co., Inc.
 Drawing No. BUCK48U48