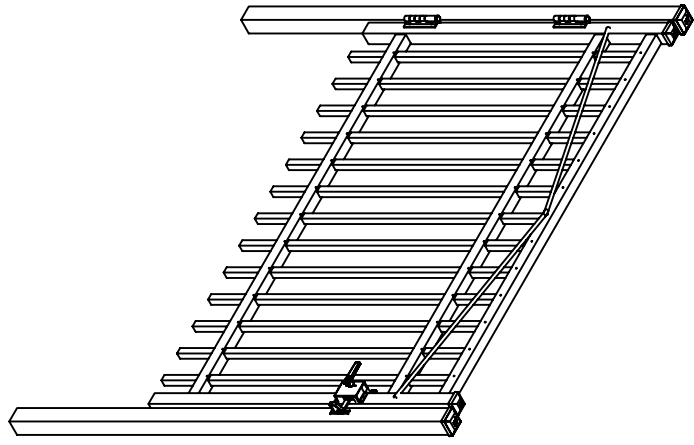
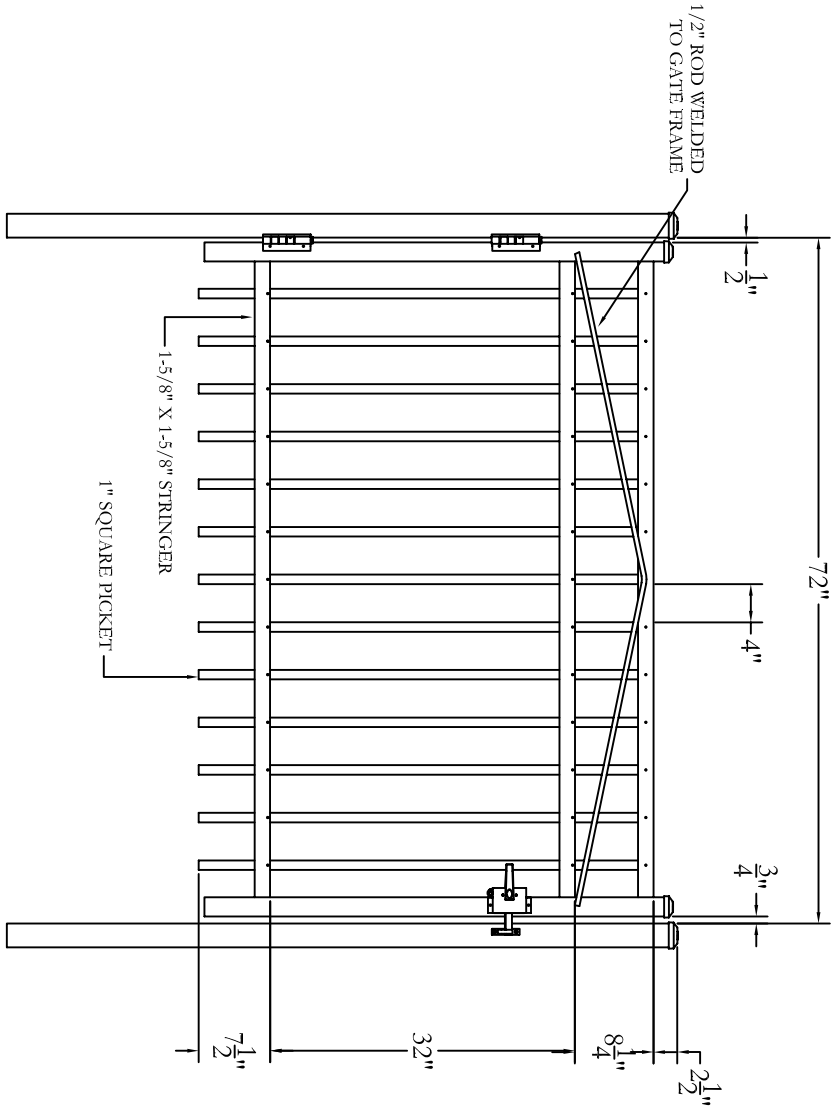


DATE	BY	DESCRIPTION	REVISION	DATE	BY	DESCRIPTION
NC	NC	INITIAL RELEASE				



South
 Manufacturing Co., Inc.
 Philadelphia, PA 19154
 (800) 344-2242

DRAWING:
 INDUSTRIAL GATE
 STYLE #202
 48" HIGH X 72" WIDE

SIZE	DWG NO.	REV
D	IN48U20272	NC
SCALE	DATE	SHEET
	3-1-04	1 OF 1

© 2004. This drawing may not be altered or reproduced without the permission of Jerth Manufacturing Co., Inc.