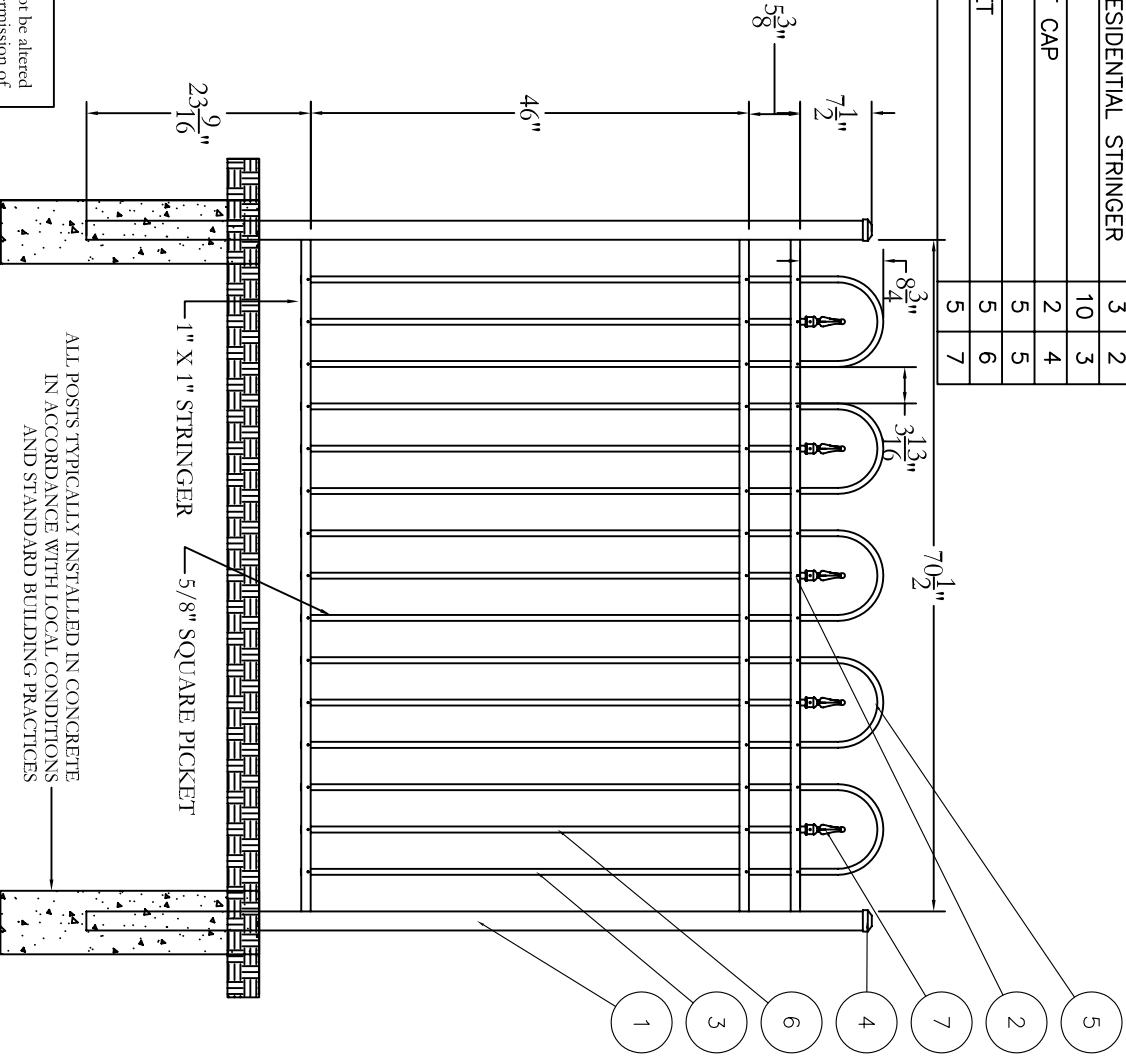


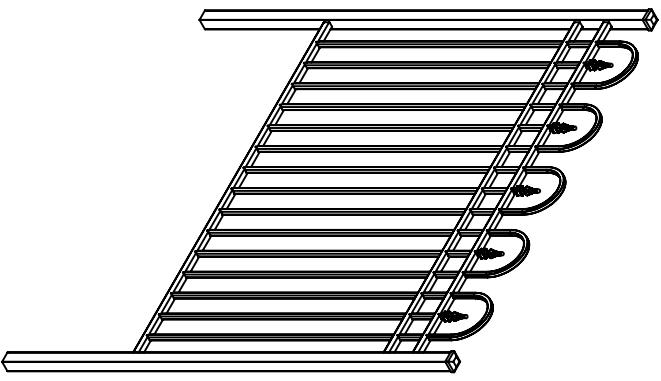
FENCE PARTS	
Name	Qty/Item
2" POST	2 1
72" - 15 HOLE RESIDENTIAL STRINGER	3 2
57" INSERT PICKET	10 3
2" ALUMINUM POST CAP	2 4
HOOP	5 5
R111 - 57" PICKET	5 6
IMPERIAL FINIAL	5 7



ALL POSTS TYPICALLY INSTALLED IN CONCRETE IN ACCORDANCE WITH LOCAL CONDITIONS AND STANDARD BUILDING PRACTICES

© 2005. This drawing may not be altered or reproduced without the permission of Jerth Manufacturing Co., Inc.

DATE	BY	DESCRIPTION	REVISION	DATE	BY	DESCRIPTION
NC		INITIAL RELEASE				



Jerth
Manufacturing Co., Inc.
Philadelphia, PA 19154
(800) 344-2242

DRAWING:
RESIDENTIAL FENCE
LEXINGTON 111 - 57" HEIGHT

SIZE D	DWG NO. RS57UL11SN	REV NC
SCALE 1-1.05	DATE 1-1-05	SHEET 1 OF 1