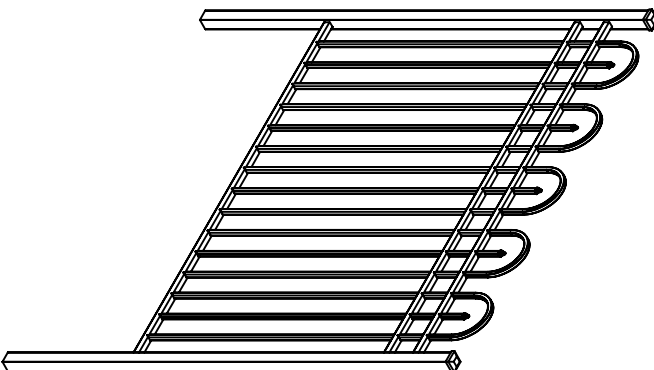
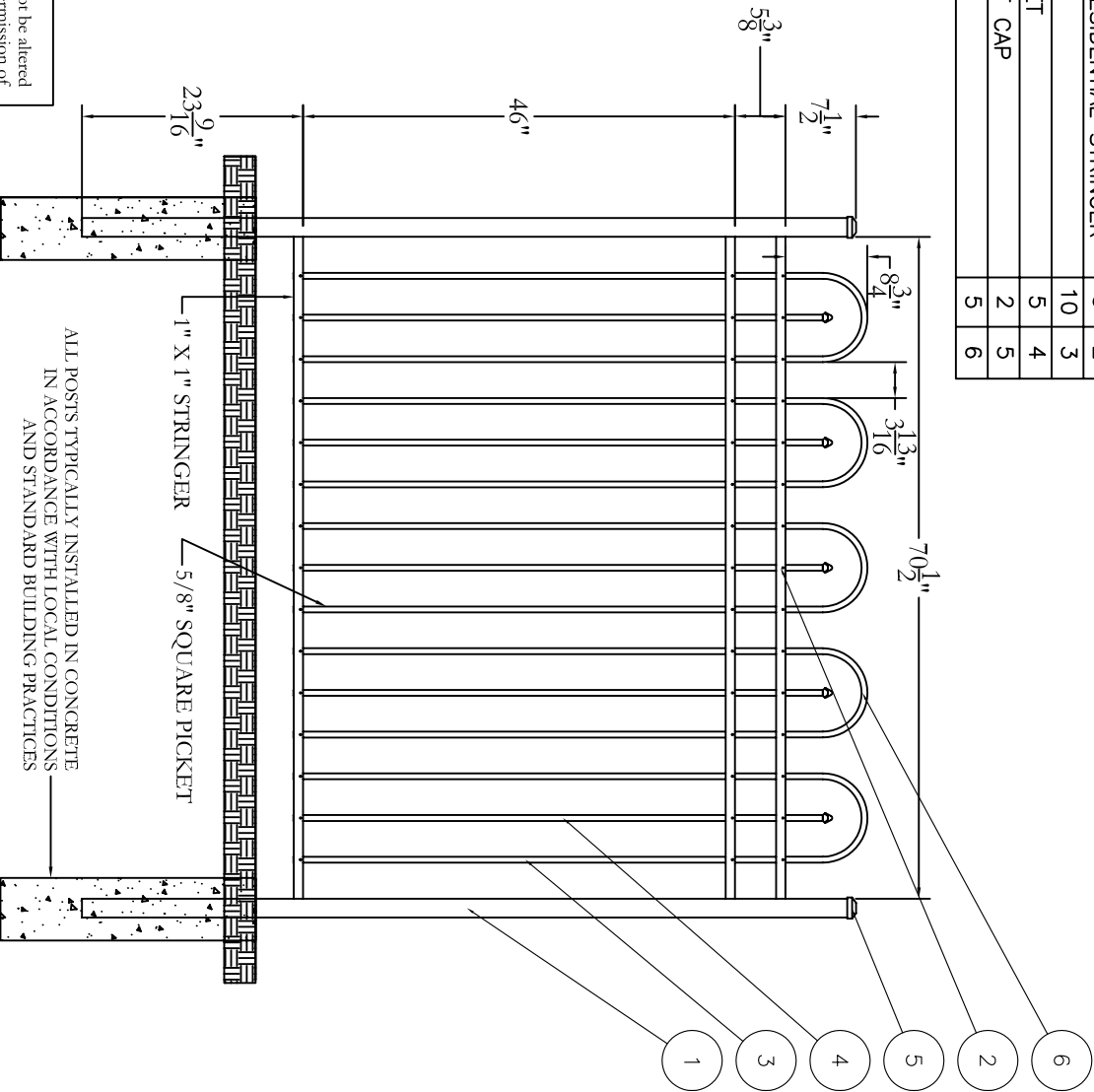


FENCE PARTS		Qty	Item
Name			
2" POST		2	1
72" - 15 HOLE RESIDENTIAL STRINGER		3	2
57" INSERT PICKET		10	3
R101 - 57" PICKET		5	4
2" ALUMINUM POST CAP		2	5
HOOP		5	6



DATE	BY	DESCRIPTION	REVISION	DATE	BY	APPROVED
NC		INITIAL RELEASE				

ALL POSTS TYPICALLY INSTALLED IN CONCRETE IN ACCORDANCE WITH LOCAL CONDITIONS AND STANDARD BUILDING PRACTICES

© 2005. This drawing may not be altered or reproduced without the permission of Jerth Manufacturing Co., Inc.

Jerth
Manufacturing Co., Inc.
Philadelphia, PA 19154
(800) 344-2242

DRAWING:
RESIDENTIAL FENCE
LEXINGTON 101 - 57" HEIGHT

SIZE D	DWG NO. RS57UI01SNDB	REV NC
SCALE 1-1.05	DATE 1-1-05	SHEET 1 OF 1