

Semi Privacy

This specification sheet details the installation techniques and specifications for the Monticello and Desert Sun.

Step 1: Layout

Begin by staking out the area to be enclosed and attach a string line to the stakes. When installing the posts, stay about 1/8" away from the string.

Measure and mark your post hole locations making note of your gate locations. A 100' tape measure makes this task easy.

Step 2: Post Holes

Using a post hole digger, dig your holes to the proper depth as specified for your fence style in table 1.

Place each post in the corresponding hole. Starting with your first post, usually an end post, use a level to plumb the post and fill the hole with premixed concrete. Keep the concrete level 2-3" below grade, then backfill the remaining amount with topsoil.

Insert a bottom rail in the routed holes in the first and second posts. Use the rail to level or sight your fence line and fill the second post hole with premixed concrete.

Using the bottom rail in this manner allows you to maintain proper distance from grade as well as accurate post centers.

Proceed in this fashion, checking the line of your fence as you go, for all

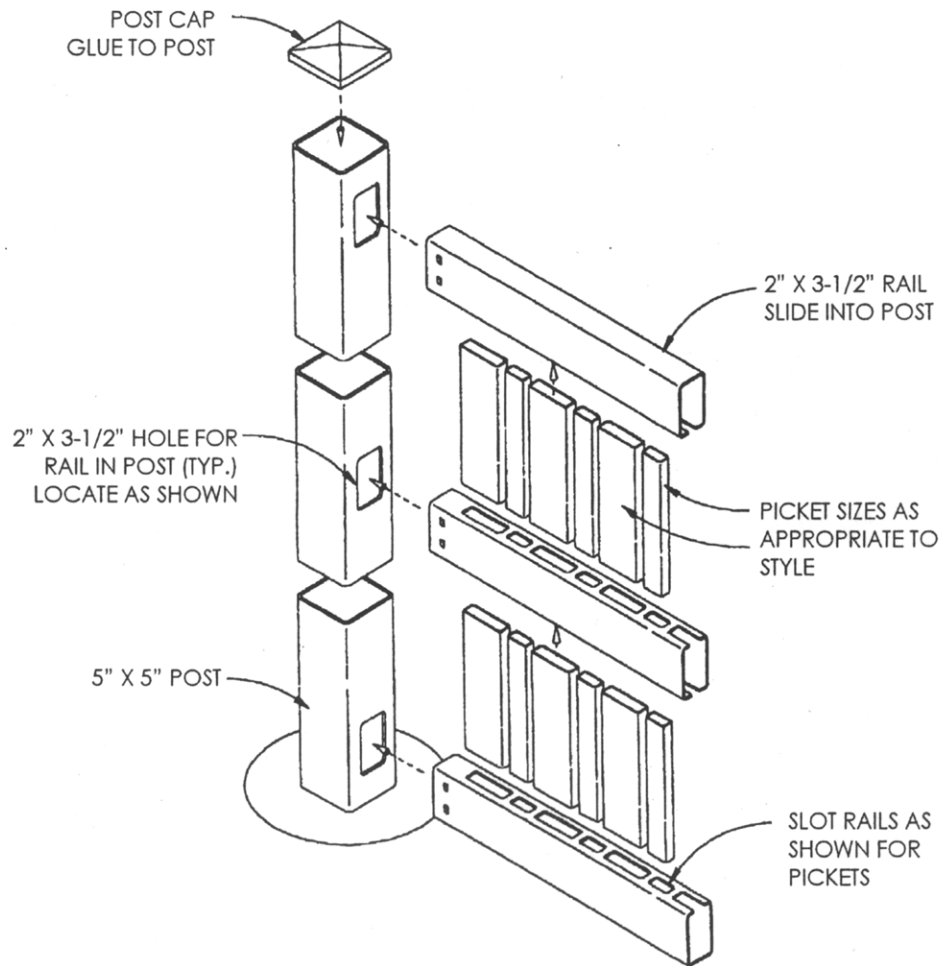
remaining posts.

Allow the concrete to set overnight before proceeding.

Step 3: Assembly

Note: If you are installing a five foot high fence, first insert the middle rail in to the routed posts in each section of fence. Be certain that the dadoed portion of the rail faces down.

One section at a time, seat a picket in each routed hole in the bottom rail passing through the mid rail if applicable. Once all of the pickets are in place, insert one end of the top rail into the first post. Then lay the top rail down over the pickets, guiding each picket into the routed hole as you go, until the rail is firmly seated. Insert the rail in to the opposite



post and using this technique, proceed with the remaining sections until complete. Where corners exist, you may have to mitre the rails.

To prevent side to side movement in your top rail, you may elect to drive screws into each end of the rail against the inside face of the post.

Step 4: Completion

Glue on the post caps and enjoy your fence!

	MONTICELLO	DESERT SUN
POST HOLE	31" DEEP	31" DEEP
POST CENTERS	72"	72"
END SPACING	N/A	1/2"

table 1