

The Harvard

This specification sheet details the installation techniques and specifications for the Harvard style fence.

Step 1: layout

Begin by staking out the area to be enclosed and attach a string line to the stakes. When installing the posts, stay about 1/8" away from the string.

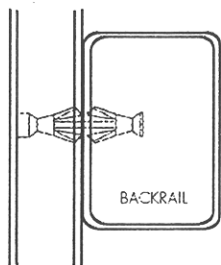
Measure and mark your post hole locations making note of your gate locations. A 100' tape measure makes this task easy.

Step 2: Assembly

Important note: See page two for proper placement of pickets.

Prepare a smooth, clean surface and lay three

backrails drilled side up. Insert a picket clip into each hole in the picket. You may need to rock the clip back and forth to lock it in place. Make certain to insert the thick end into the picket.



cutaway of picket clip

Place the picket down over the rails and, with the palm of your hand, firmly seat the clips.

When complete, stand the section upright and tap the picket caps in place with a rubber mallet.

Step 3: Post Holes

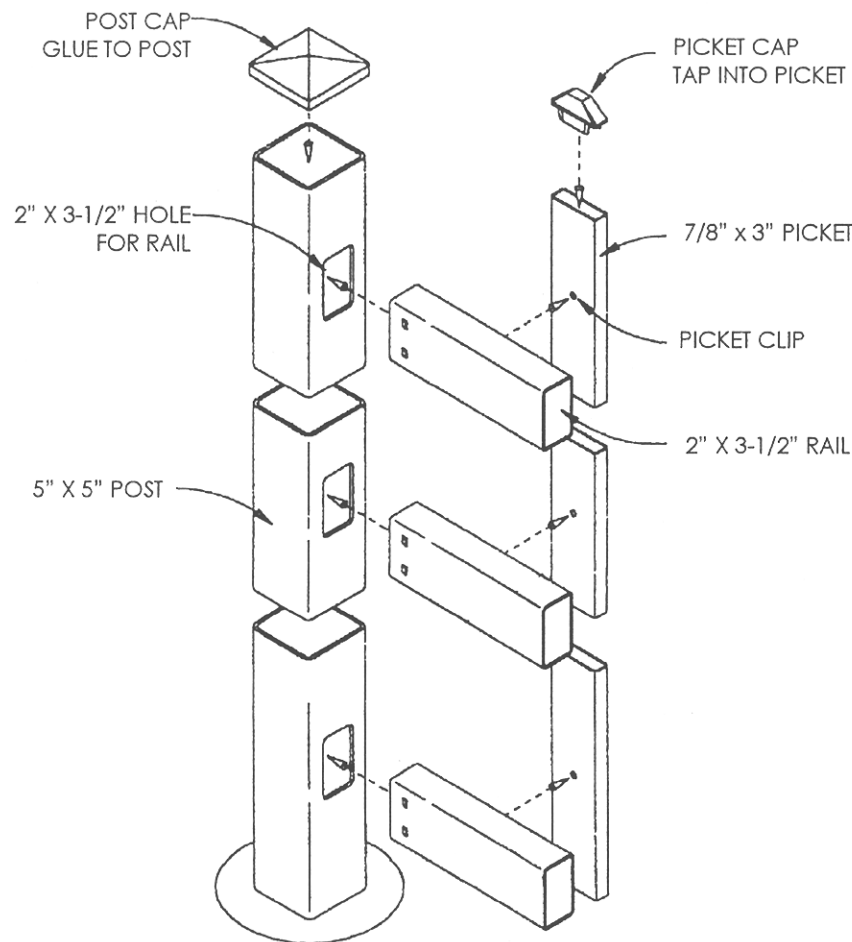
Using a post hole digger, dig your holes to the desired depth as specified for your fence style in *table 1*.

Place each post in the corresponding post hole. Starting with your first post, usually an end post, use a level to plumb the post and fill the hole with pre-mixed concrete. For this style, you will want to keep the concrete mix very firm. The concrete must remain elastic during installation so set only a few posts at a time. Keep the concrete level 2-3" below grade, then backfill the remaining amount with topsoil.

IMPORTANT: *Make certain that the bottom rail hole remains at least 8" above grade.*

Step 4: Installation

While grasping a section of fence, insert all three rails into the first post. Move the next post in line aside just enough to position the fence section. Push the post back into position snapping the rails in place.



Proceed in this fashion for the next three or four sections of fence and then go back to check for plumb at each post. It is also a good idea to see that your posts are seated snugly against the fence sections. Pack the concrete mix

tightly around each post. If your concrete mix is firm, bracing the fence will probably not be necessary. If your fence tends to settle in to the concrete too deeply, you may use some blocking to maintain the proper height. Check the

line of your fence as you go to assure proper flow with the grade.

Step 5: Completion

Glue on the post caps and enjoy your fence!

HARVARD	
POST HOLE	34" DEEP
POST CENTERS	74"
END SPACING	0"

table 1