

The Basketweave

This specification sheet details the installation techniques and specifications for the Basketweave style fence.

Step 1: Layout

Begin by staking out the area to be enclosed and attach a string line to the stakes. When installing the posts, stay about 1/8" away from the string.

Measure and mark your post hole locations making note of your gate locations. A 100' tape measure makes this task easy.

Step 2: Post Holes

Using a post hole digger, dig your holes to the desired depth as specified for your fence style in *table 1*.

Place each post in the corresponding post hole. Starting with your first post, usually an end post, use a level to plumb the post and fill the hole with premixed concrete. Keep the concrete level 2-3" below grade, then backfill the remaining amount with topsoil.

IMPORTANT: All posts may be set in advance and allowed to cure prior to proceeding. However, you must make sure that all posts all level to each other.

Step 3: Assembly

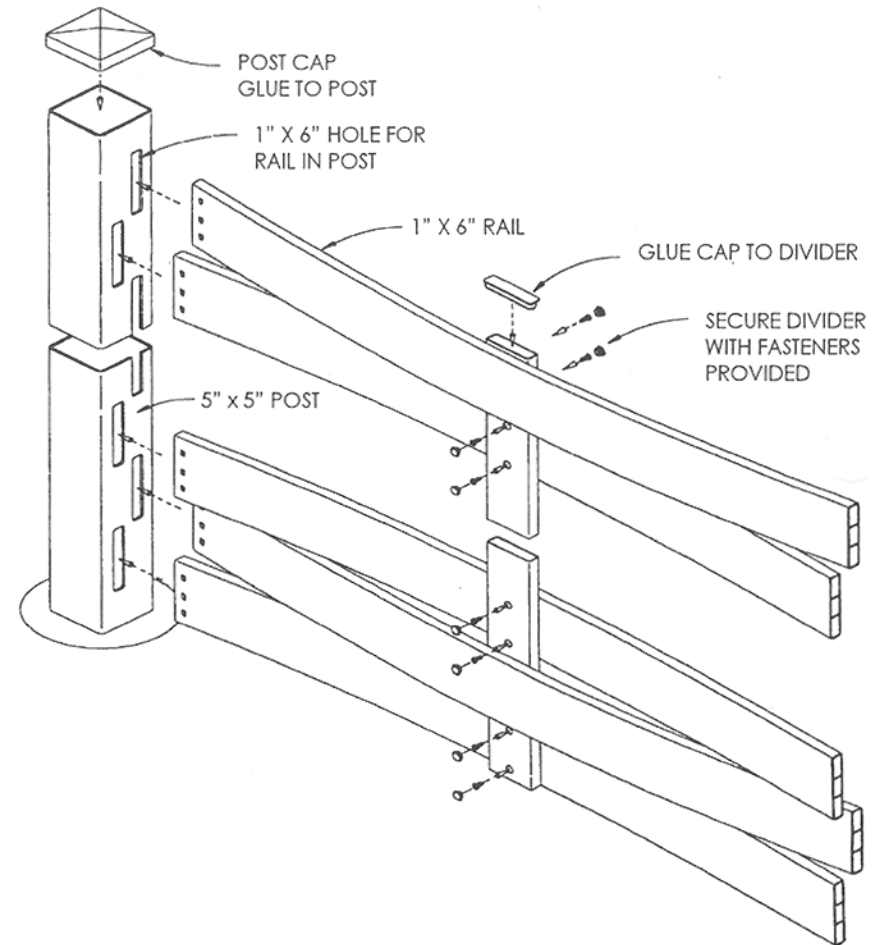
The rails for this style of fence are provided in 16' lengths to increase the overall strength of the fence.

Slide a rail through the bottom hole in the second post in your fence line and insert the ends into the first and third posts. Repeat this step for each of the rails in your fence. Cut the rails to fit short sections as necessary.

IMPORTANT: Building your fence in this fashion demands a straight and level fence line. To accommodate for any changes in grade, you must cut your rails to 8' lengths. See Step 4 for greater detail.

Allow the concrete to set overnight before proceeding.

After you have installed all of the rails, weave the divider provided into the rails as shown at right. Glue the divider cap in place and fasten the di-



vider using the fasteners provided. (Note: fasteners may differ from photo)

Step 4: Grades

If you wish to follow the rolling grade of your prop-

erty, then you should cut all of the applicable rails down to eight feet long. This will allow for movement, up or down, from post to post.

In severe cases, you may need to use a file or a rasp

to enlarge the holes in the posts to allow for greater movement.

Step 5: Completion

Glue on the post caps and enjoy your fence!

BASKETWEAVE	
POST HOLE	31"
POST CENTERS	96"
END SPACING	N/A

table 1