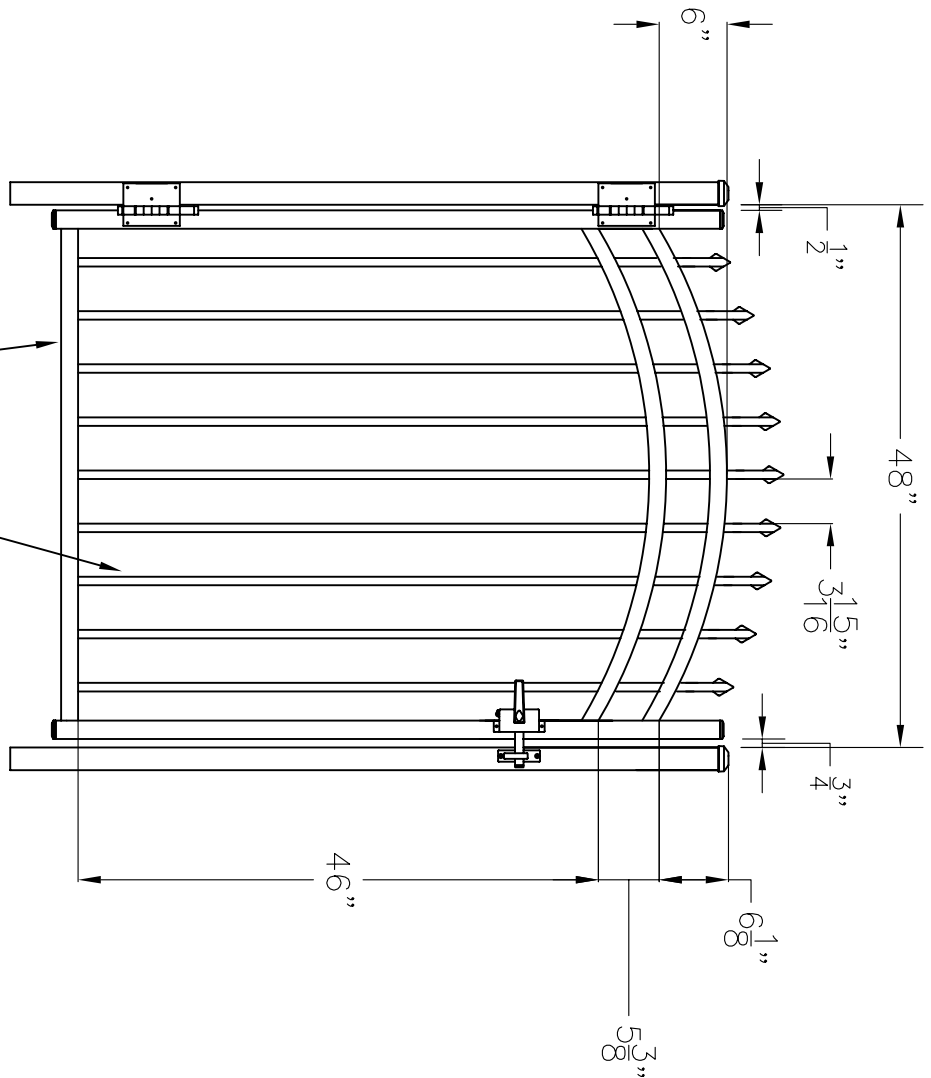


1-1/2" X 1-1/2" STRINGER

3/4" SQUARE PICKET



*Jerrith*  
 Manufacturing Co., Inc.  
 Philadelphia, PA 19154  
 (800)344-2242

POOL ACCENT GATE  
 STYLE BUCKINGHAM  
 60" HIGH X 48" WIDE

BUCK60U48

Date: September 2004  
 Copyright 2004  
 Jerrith Manufacturing Co., Inc.  
 All rights reserved.  
 This drawing may be used without permission of Jerrith Manufacturing Co., Inc.